

 lightswing®

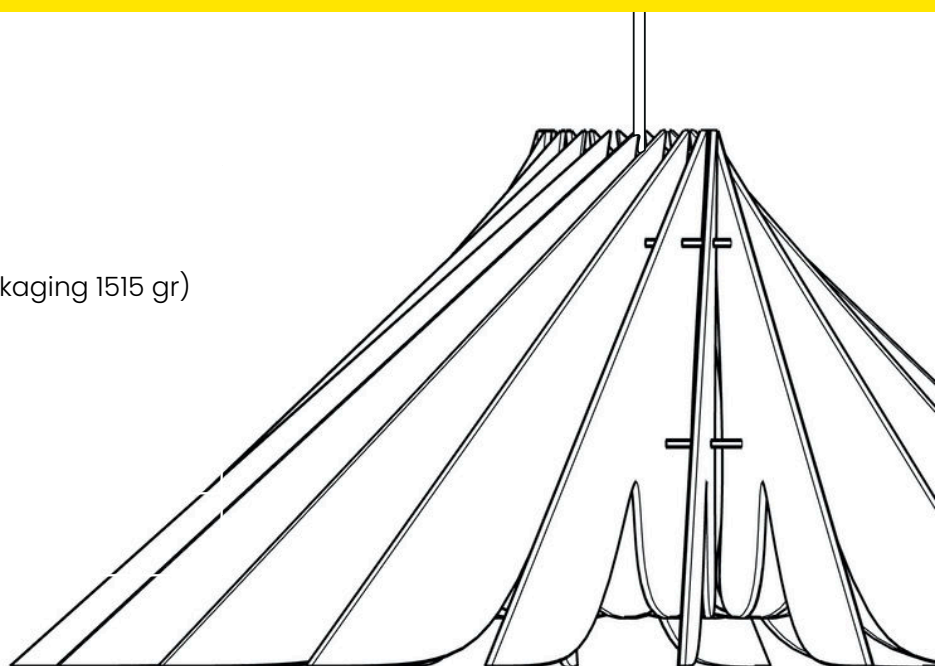
X
VAN
TJALIE
EN
JASPIER



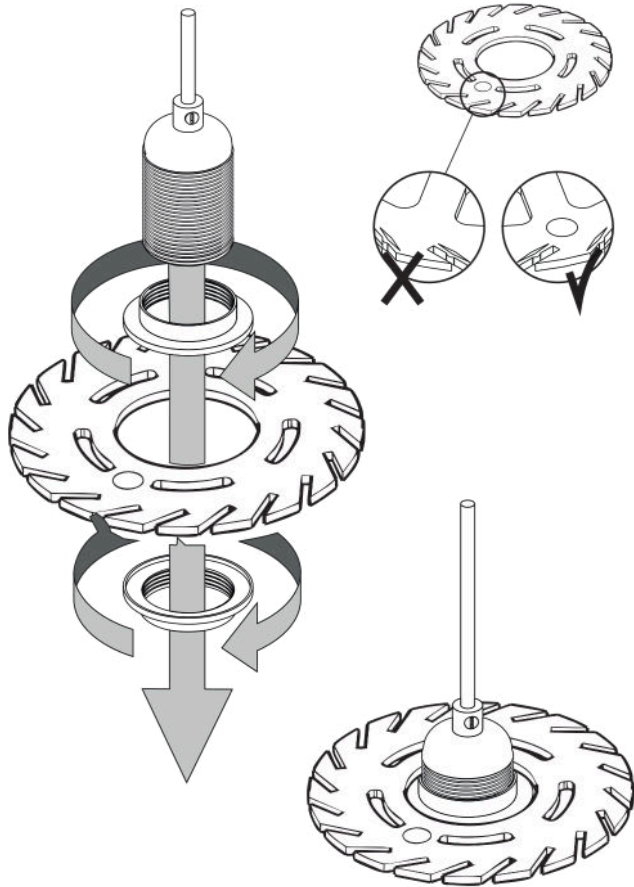
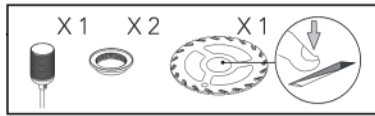
Instruction manual Lightswing® Pendant Light Novo

Technical specifications

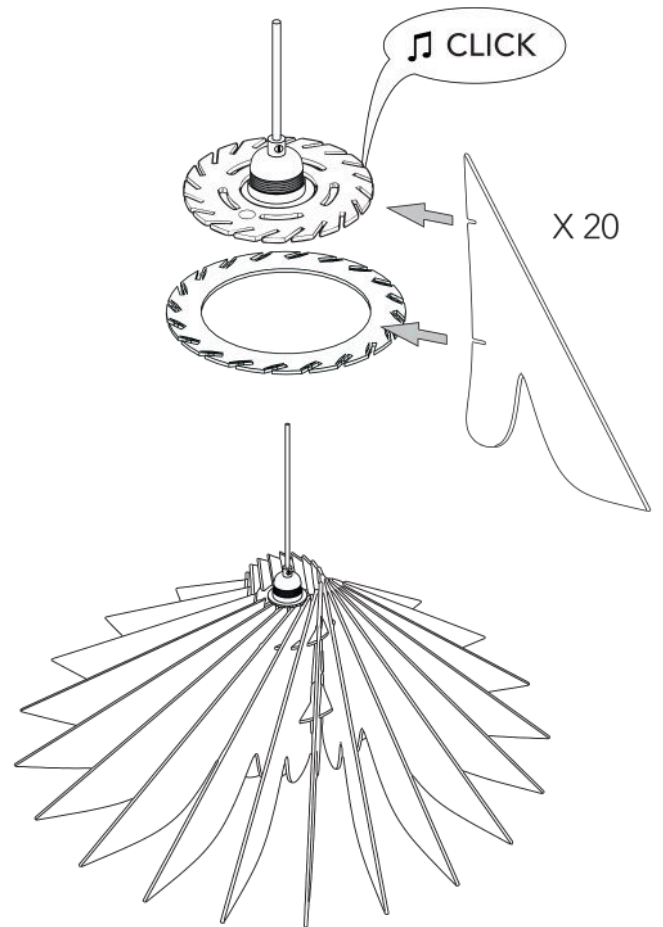
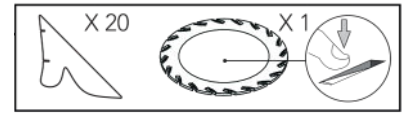
Size/Dimensions	55x24 cm
Weight	1385 gr (incl. packaging 1515 gr)
Material	3mm MDF
Cord length	150 cm
Lamp fitting	E27



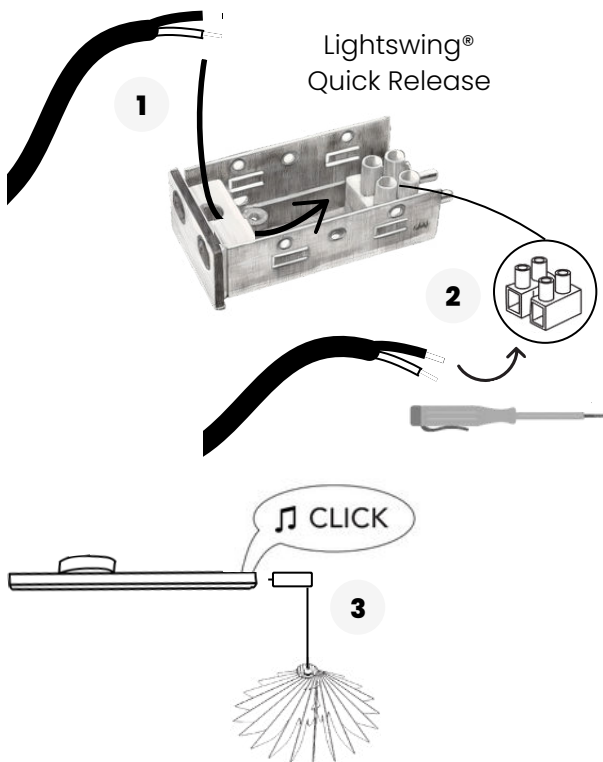
Step 1



Step 2



Step 3



Step 4

